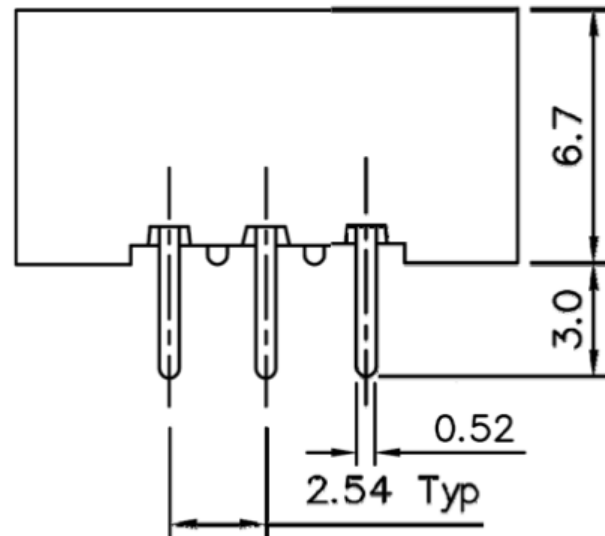
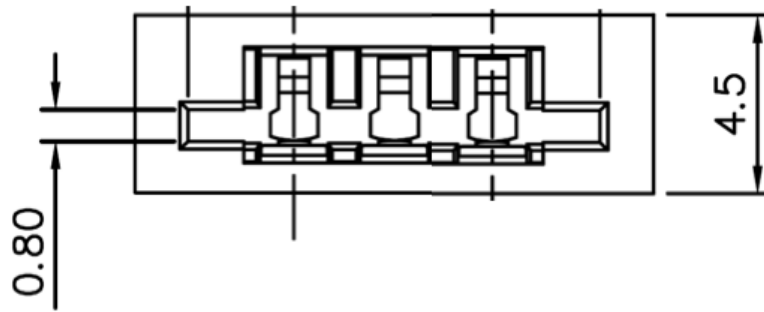


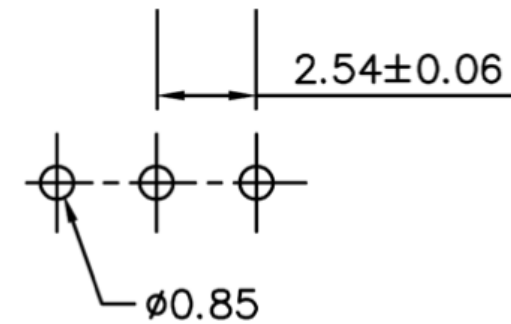
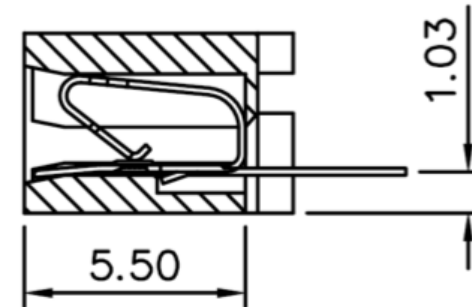
SPE Socket

Ver. 9 Sep 2014



Zimmer & Peacock

eSensor Manufacturing and Technology



Recommended PCB Layout